

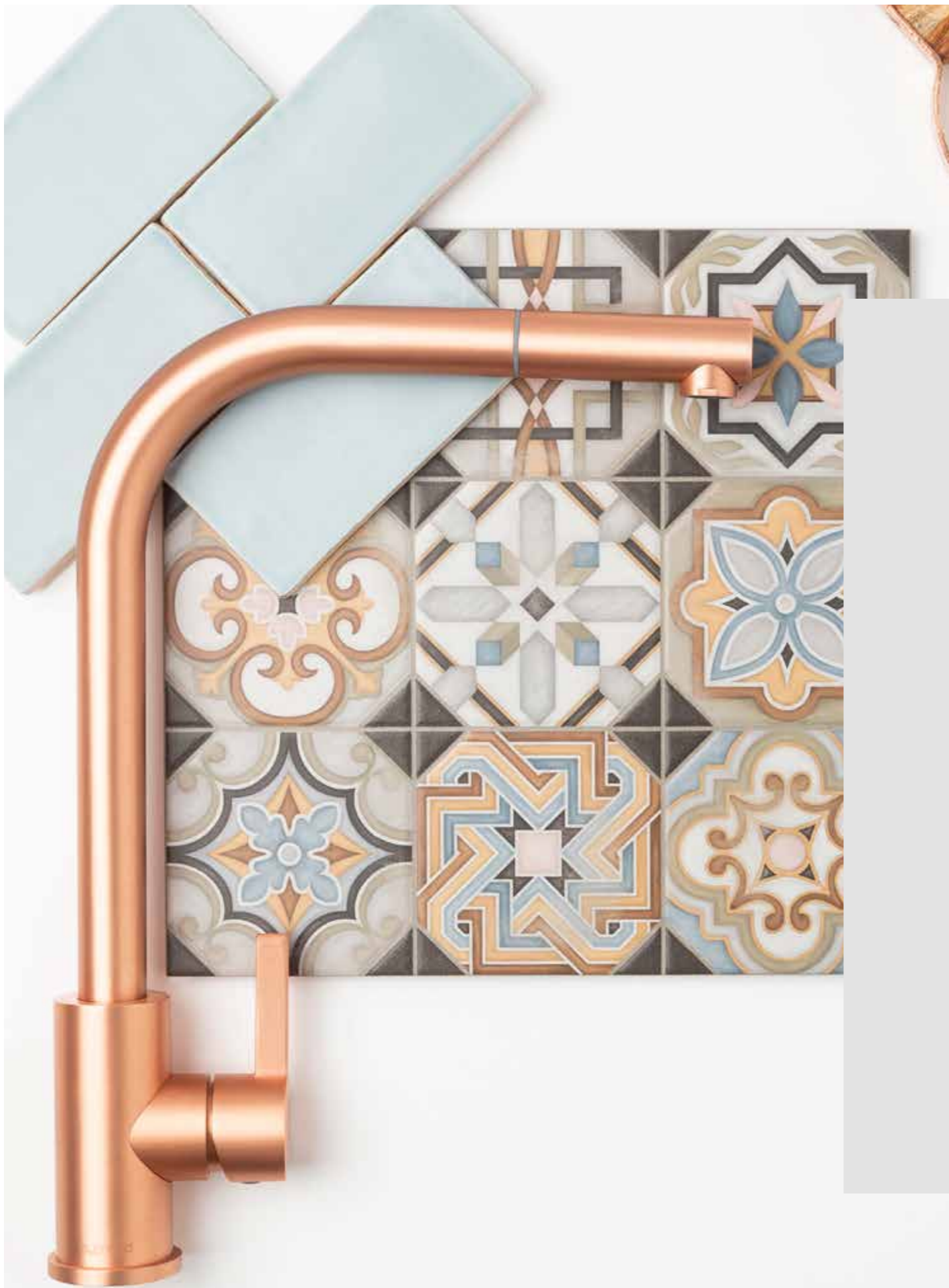
Suprema™

WITH  XPRESSFIT™

T A P W A R E I N N O V A T I O N



kitchen | alfresco | laundry



Suprema™

TIMELESS TESTED TRUSTED

Established in 1995, Suprema is an Australian brand built on the principles of innovation, reliability and superior customer service. Suprema's range focuses on the beauty and durability of stainless steel.

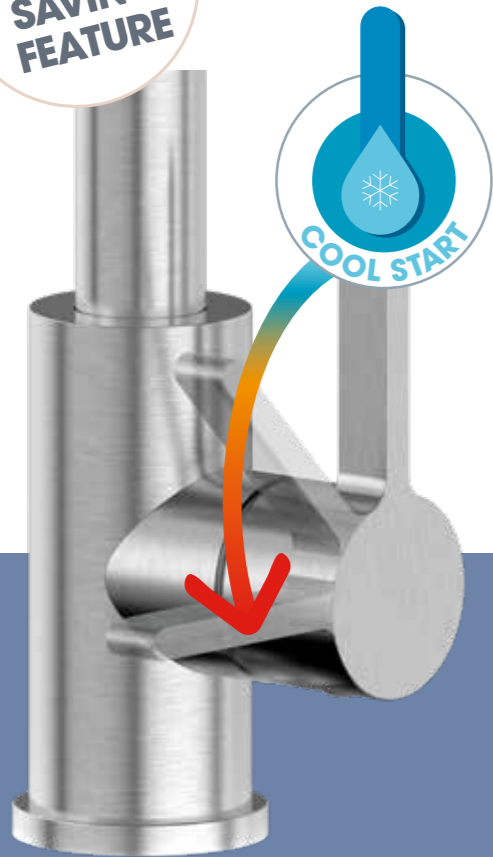
The Suprema XpressFit range of tapware is a multi award-winning range, providing consumers with clean, non-toxic, innovative stainless steel tapware for the kitchen and laundry. Tapware installation has become faster and easier with the patented, award-winning top mount installation mechanism by XpressFit.

A range of modern and classic style stainless steel sinks have been curated to complement and provide functionality to the kitchen.

Suprema - Timeless. Tested. Trusted.


- 02/** Cool Start
- 04/** Standard Mixers
- 08/** Retractable Mixers
- 12/** Laundry Solutions
- 14/** 6 Xpress Steps
- 16/** Kitchen Sinks
- 24/** Accessories

**NEW
ENERGY
SAVING
FEATURE**



- ENERGY SAVING
- WIDE TEMPERATURE RANGE
- SUITABLE FOR TIGHT SPACES

COOL START

Suprema's new, energy saving cool start feature is available on a selected range of Suprema Xpressfit mixers. (marked with )

From an aesthetic view point, mixers look their best when the handle is aligned with the tap body, pointing upwards.

When a mixer with the cool start feature has the handle pointing upwards, the tap is set to the cold water position.

Hot water will begin to mix with the cold water as the handle is moved forward, towards the user.

This energy saving, cool start feature minimises unnecessary use of hot water and minimises the times an instantaneous hot water system is unintentionally activated.

The cool start cartridge offers a full 90 degree range to mix cold and hot water as the handle moves forward. This gives the user control of the widest temperature range possible with mixer tapware.

The cool start handle is also ideal for situations where there is limited space between the mixer and the splashback as a +/- 45 degree turning mixer handle would hit the wall.



STANDARD MIXER FEATURES

1 NEOPERL AERATORS

Aerators renown for quality and consistent performance.

2 STAINLESS STEEL CONSTRUCTION

Suprema XPRESSFIT mixer bodies are made of 304 or 316 grade stainless steel.

Stainless steel is not only more durable but is also made from a safer composition than brass, which is traditionally used in taps and mixers.

Stainless steel is known for its hygiene qualities as its smooth surface resists the harbouring of germs and can be re-polished.

Suprema XPRESSFIT mixers come in a range of finishes to complement your kitchen.

3 COOL START

Energy saving and ergonomic design. When the handle is pointing upwards, the tap is set at cold. Mixing with hot water begins as handle is moved forward.



Ideal for installations close to wall. Available on models with the cool start icon.

4 XPRESSFIT PATENTED INSTALLATION MECHANISM

Tap installation has never been easier or faster.

Fixing the mixer to the sink or benchtop takes less than 60 seconds and it's all done from above the benchtop.

XPRESSFIT eliminates the challenge of trying to get under and behind the sink to secure the mixer. All you need is a hand drill.

5 600MM NYLON BRAIDED PEX INLET HOSES

All Suprema XPRESSFIT mixers come with 600mm PEX inlet hoses already secured to the mixer body.

The extra long PEX hoses reduce the need for connectors, saving time and money. The nylon braiding provides protection and durability to the hose.

PEX contains cross linked bonds in the polymer structure, providing outstanding heat and chemical resistance as well as tensile strength, so drinking water is not compromised.

6 QUICK INSTALL NUTS

This tool-less solution is another innovative solution unique to XPRESSFIT, allowing you to easily hand tighten the PEX inlet hoses to the water supply.

15
YEAR WARRANTY*

2 years labour, 15 years parts, refer to warranty statement for details





XSSENTIAL
XFIT050SKM

Classic Flick Mixer
304 Stainless Steel
Height: 140mm
Projection: 230mm
WELS 4 star rating,
7.5 litres per min



CHROME



XPO
XFIT100SKM

Classic Gooseneck Mixer
304 Stainless Steel
Height: 354mm
Projection: 199mm
WELS 4 star rating,
7.5 litres per min



SATIN CHROME MATT BLACK



X-CLASS
XFIT200SKM

Gooseneck with Modern Geometric Body and Handle
304 Stainless Steel
Height: 380mm
Projection: 232mm
WELS 4 star rating,
7.5 litres per min



SATIN MATT BLACK BRUSHED GUN METAL BRUSHED ROSE GOLD BRUSHED GOLD



XON
XFIT300SKM

Classic Square Gooseneck Mixer
304 Stainless Steel
Height: 334mm
Projection: 205mm
WELS 4 star rating,
7.5 litres per min



SATIN CHROME MATT BLACK



XCELSIOR
XFIT600SKM

Elegant Straight Neck Mixer
304 Stainless Steel
Height: 289mm
Projection: 220mm
WELS 4 star rating,
7.5 litres per min



SATIN MATT BLACK BRUSHED GUN METAL BRUSHED ROSE GOLD BRUSHED GOLD



XEC
XFIT700SKM

Modern Linear Surface Mixer
304 Stainless Steel
Height: 357mm
Projection: 193mm
WELS 4 star rating,
7.5 litres per min



SATIN BLACK + BLING BRUSHED GUN METAL BRUSHED ROSE GOLD BRUSHED GOLD

RETRACTABLE MIXER FEATURES

1 STAINLESS STEEL CONSTRUCTION

Suprema XPRESSFIT mixers bodies are made from 304 or 316 grade stainless steel.

Stainless steel is not only more durable but is also made from a safer composition than brass which is traditionally used in taps and mixers.

The internal, sealed, stainless steel body also prevents water from leaking down into your cabinetry.

Suprema XPRESSFIT mixers come in a range of finishes to complement your kitchen.

2 SPACE SAVING, AWARD WINNING, INNOVATIVE DESIGN

Unlike traditional pull out mixers, Suprema Retractable Mixers are designed without a long hose and counterweight under the sink, creating more useable space.

3 QUICK INSTALL NUTS

This tool-less solution is another innovative solution unique to XPRESSFIT, allowing you to easily hand tighten the PEX inlet hoses to the isolating stop valve.

4 PULL OUT NOZZLE

When you want further reach, the pull out nozzle will stay in an extended position and automatically retract into place when the water is turned off.*

Made from durable and food safe TPV.

5 DUAL SPRAY WITH SWIVEL SPOUT

Swivel ball joint nozzle with dual spray pattern available on certain models.

6 COOL START

Energy saving and ergonomic design. When the handle is pointing upwards, the tap is set at cold. Mixing with hot water begins as handle is moved forward.



Ideal for installations close to wall. Available on models with the cool start icon.

7 XPRESSFIT PATENTED INSTALLATION MECHANISM

Tap installation has never been easier or faster.

XPRESSFIT eliminates the challenge of trying to get under and behind the sink to secure the mixer. All you need is a hand drill.

8 600MM NYLON BRAIDED PEX INLET HOSE

All Suprema XPRESSFIT mixers come with 600mm PEX inlet hoses already secured to the mixer body.

The extra long PEX hoses reduce the need for connectors, saving time and money. The nylon braiding provides protection and durability to the hose.

PEX contains cross linked bonds in the polymer structure, providing outstanding heat and chemical resistance as well as tensile strength, so drinking water is not compromised.



15
YEAR WARRANTY*

2 years labour, 15 years parts, refer to warranty statement for details





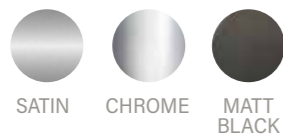
XPLORER
XFIT900RKM

Gooseneck Retractable
Mini Pull Out Mixer

304 Stainless Steel

Height: 400mm
Projection: 206mm
Pull Out Length: 220mm

WELS 3 star rating,
9 litres per min



XCLAIMER
XFIT910RKM

Straight Neck Retractable
Mini Pull Out Mixer

304 Stainless Steel

Height: 400mm
Projection: 245mm
Pull Out Length: 250mm

WELS 3 star rating,
9 litres per min



XTRAVERT
XFIT920RKM

Tall Gooseneck Retractable
Mini Pull Out Mixer with Dual Spray

304 Stainless Steel

Height: 495mm
Projection: 235mm
Pull Out Length: 260mm

WELS 3 star rating,
9 litres per min



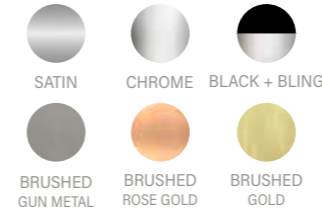
XACTA
XFIT800RKM

Gooseneck Retractable
Maxi Pull Out Mixer with Dual Spray

304 Stainless Steel

Height: 483mm
Projection: 236mm
Pull Out Length: 390mm

WELS 5 star rating,
6 litres per min



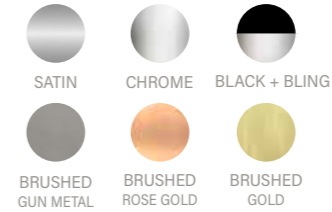
XCEL
XFIT810RKM

Gooseneck Retractable
Maxi Pull Out Mixer with Dual Spray

304 Stainless Steel

Height: 482mm
Projection: 221mm
Pull Out Length: 390mm

WELS 5 star rating,
6 litres per min



ALFRESCO RANGE

Featuring 316 marine grade stainless steel, the stylish and functional XCALIBRE mixer is ideal for alfresco kitchens or coastal homes.

Made from lead-free materials, it has the ability to withstand harsh climates.

NEW



XCALIBRE XFIT2010RKM

Alfresco Gooseneck Retractable Maxi Pull out Mixer with Dual Spray

316 Marine Grade Stainless Steel

Height: 474mm
Projection: 242mm
Pull Out Length: 370mm

WELS 5 star rating, 6 litres per min



SATIN



CHROME



BRUSHED
GUN METAL

XPRESSFIT™
TAPWARE INNOVATION

LAUNDRY SOLUTIONS

RETRACTABLE WALL SPOUT

Introducing the world's first retractable wall spout. This innovative design is made from 304 stainless steel with an elegant gooseneck style spout.

Featuring a dual spray pattern, rotating ball joint nozzle, this revolutionary design is ideal for bathrooms or laundrys.

Easy to install, it can be used to replace the majority of existing wall spouts.

Available in a satin or chrome finish, the spout is easy to match with new or existing wall-mounted tap handles.



**NEW
WORLD
FIRST**



SUP800RLS

Retractable Laundry Spout

Height: 374mm
Projection: 194mm
Pull Out Length: 400mm

WELS 5 star rating, 6 litres per min



CHROME

LAUNDRY ADAPTER

Standard inset laundry tubs come with two 41mm bypass holes, only one is used for the washing machine bypass.

The laundry adapter converts the 41mm diameter hole to a 35mm hole suitable for a Suprema Xpressfit mixer.

Converting the bypass hole into a taphole saves plumbing in a wall mount tap and spout.

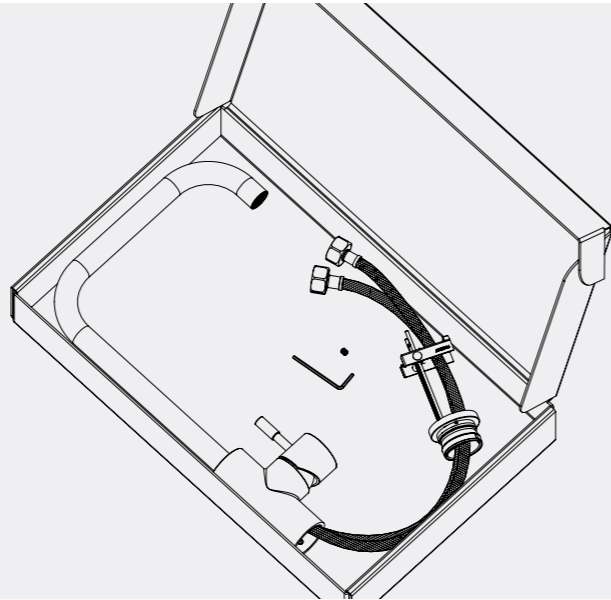
The adapter is available in satin and chrome finish to match your Suprema XpressFit mixer.



6 XPRESS STEPS

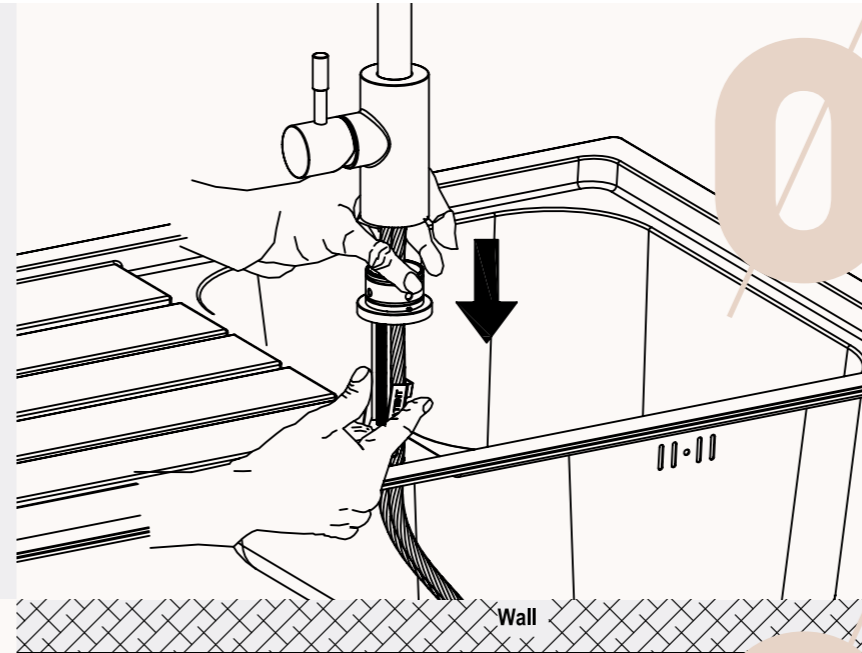
01

Remove fully assembled mixer from packaging



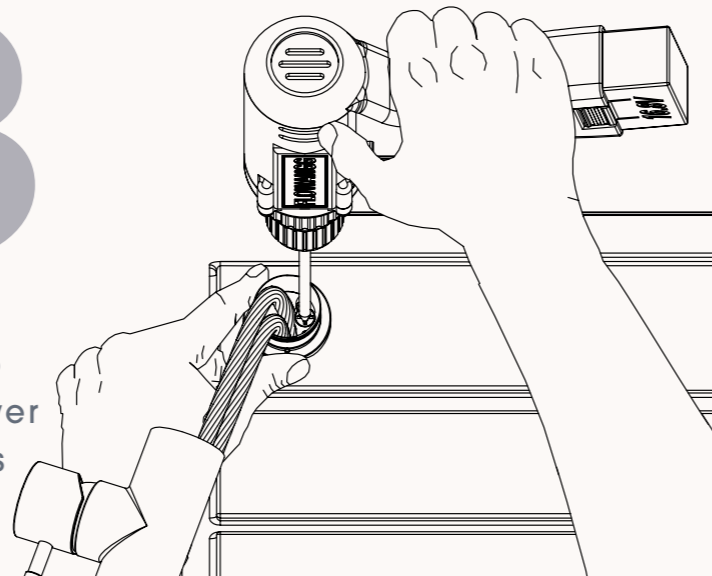
02

Slide the PEX inlet hoses and clamp plate through the tap hole



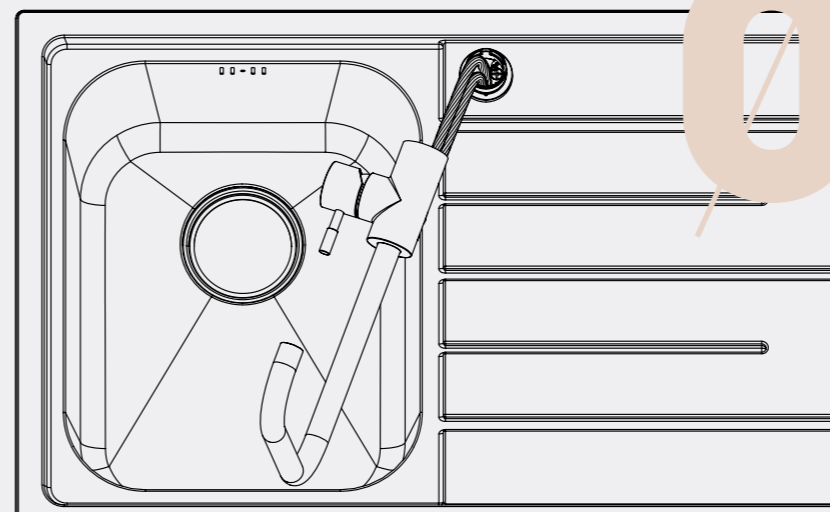
03

Tighten the clamp plate using a power drill with a Phillips head bit



04

Align the flange with the locating pin



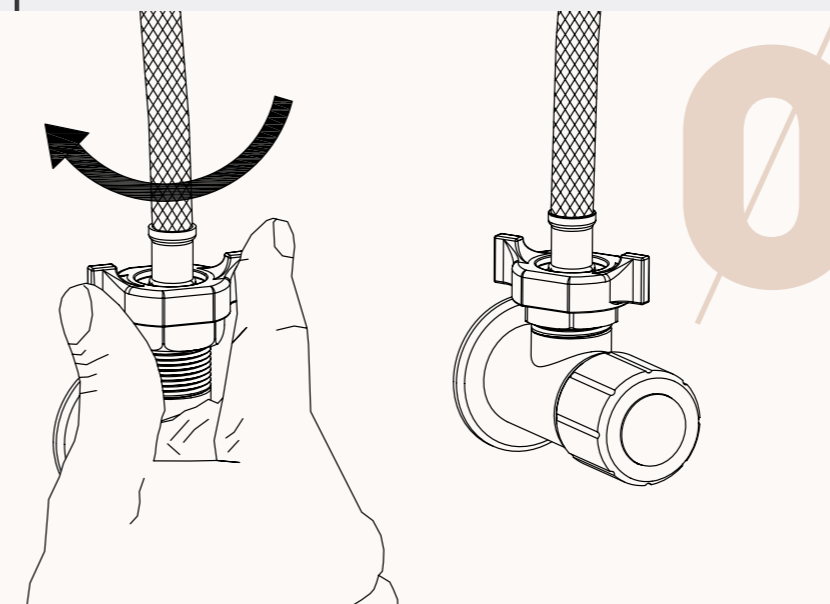
05

Secure mixer body to the flange with a hex key



06

Using the locking nuts, connect the PEX inlet hoses to the water supply



suprema™

KITCHEN SINKS & ACCESSORIES

Suprema sinks are crafted from corrosion resistant 304 stainless steel. All sinks are individually packaged, with pop up basket wastes, gasket seals and reversible clips.

Each sink is coated with an acoustic absorbing underlining and comes with a 25 year manufacturer's warranty.

Accessories are available to complement your sink, making food preparation and washing up easier.





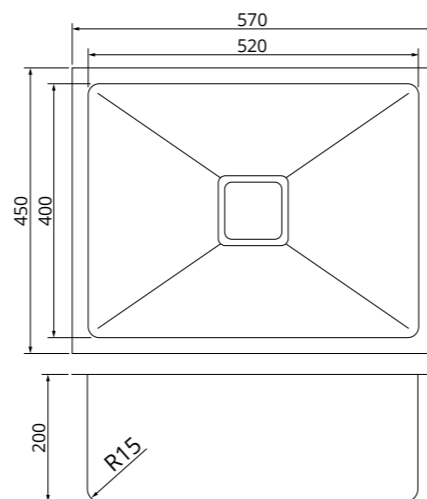
QUBIX100 - Handcrafted single bowl

Dimensions: 570 x 450mm Bowl Depth: 200mm Capacity: 40L

Options: SP DT CB



- 15mm radius corners for a modern look yet easy to clean
- Matching designer square waste
- 1.0mm 304 brushed finish stainless steel
- Undermount / overmount installation



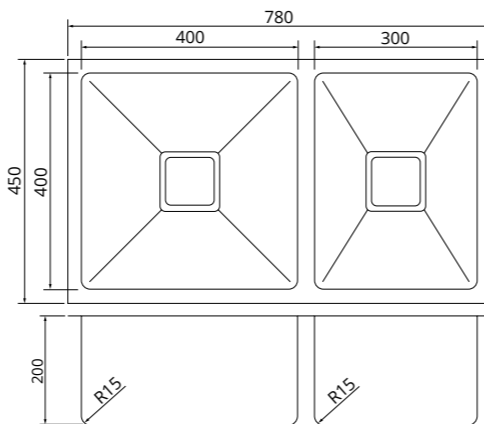
QUBIX400 - Handcrafted 1 & 3/4 bowl

Dimensions: 780 x 450mm Bowl Depth: 200mm Capacity: 31L & 23L

Options: SP DT CB



- 15mm radius corners for a modern look yet easy to clean
- Matching designer square waste
- 1.0mm 304 brushed finish stainless steel
- Undermount / overmount installation



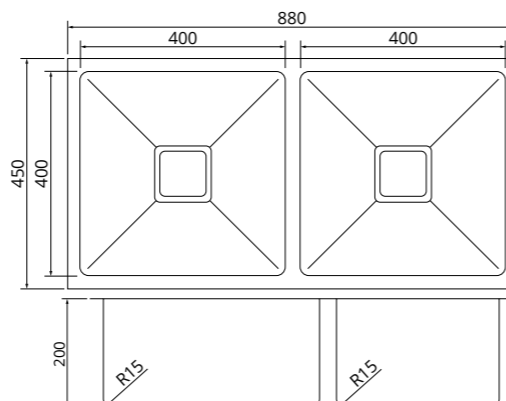
QUBIX500 - Handcrafted double bowl

Dimensions: 880 x 450mm Bowl Depth: 200mm Capacity: 31L

Options: SP DT CB



- 15mm radius corners for a modern look yet easy to clean
- Matching designer square waste
- 1.0mm 304 brushed finish stainless steel
- Undermount / overmount installation

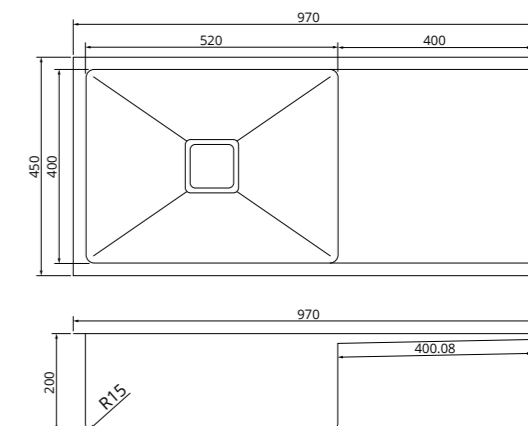


QUBIX100D - Handcrafted single bowl with drainer

Dimensions: 970 x 450mm Bowl Depth: 200mm Capacity: 40L Options: SP DT CB



- 15mm radius corners for a modern look yet easy to clean
- Matching designer square waste
- 1.2mm 304 brushed finish stainless steel
- Undermount / overmount installation

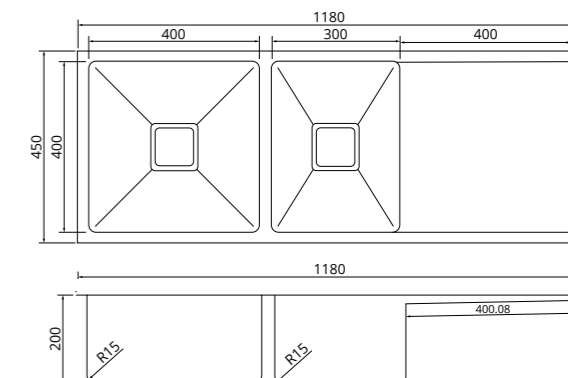


QUBIX400D - Handcrafted 1 & 3/4 bowl with drainer

Dimensions: 1180 x 450mm Bowl Depth: 200mm Capacity: 31L & 23L Options: SP DT CB



- 15mm radius corners for a modern look yet easy to clean
- Matching designer square waste
- 1.2mm 304 brushed finish stainless steel
- Undermount / overmount installation

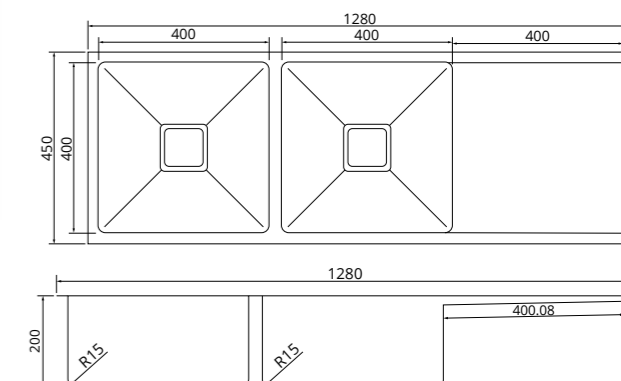


QUBIX500D - Handcrafted double bowl with drainer

Dimensions: 1280 X 450mm Bowl Depth: 200mm Capacity: 31L Options: SP DT CB



- 15mm radius corners for a modern look yet easy to clean
- Matching designer square waste
- 1.2mm 304 brushed finish stainless steel
- Undermount / overmount installation



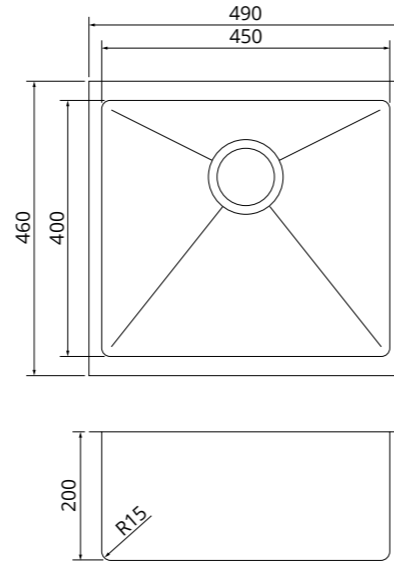
ASHTON100 - Handcrafted single bowl

Dimensions: 490 x 460mm Bowl Depth: 200mm Capacity: 35L

Options: SP DT CB



- 15mm radius corners for a modern look yet easy to clean
- Rear positioned round waste
- 1.0mm 304 brushed finish stainless steel
- Undermount / overmount installation

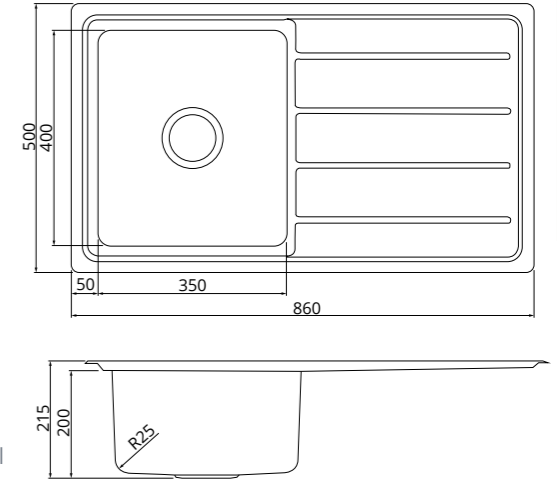


MASON100 - Single bowl with drainer

Dimensions: 500 x 860mm Bowl Depth: 200mm Capacity: 25L Options: SP CB WDB



- 25mm radius corners for a contemporary square look
- Straight pattern embossed drainer with laser cut edges for a flush finish
- Available with or without taphole
- Choice of left or right hand bowl configuration
- 0.8mm 304 brushed stainless steel
- Overmount installation



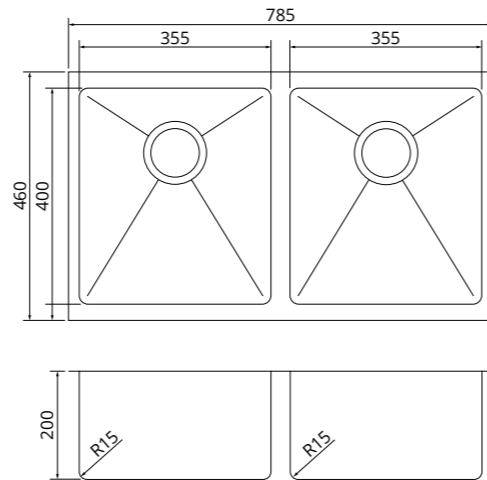
ASHTON500 - Handcrafted double bowl

Dimensions: 785 x 460mm Bowl Depth: 200mm Capacity: 27L

Options: SP DT CB



- 15mm radius corners for a modern look yet easy to clean
- Rear positioned round waste
- 1.0mm 304 brushed finish stainless steel
- Undermount / overmount installation

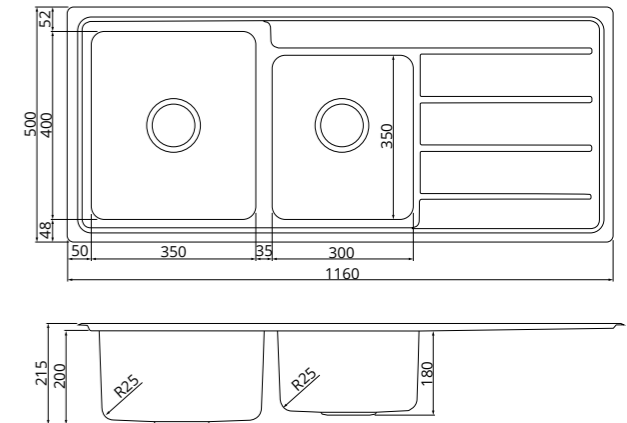


MASON300 - 1 & 3/4 bowl with drainer

Dimensions: 500 x 1160mm Bowl Depth: 200mm & 180mm Capacity: 25L & 17L Options: SP CB WDB



- 25mm radius corners for a contemporary square look
- Straight pattern embossed drainer with laser cut edges for a flush finish
- Available with or without taphole
- Choice of left or right hand bowl configuration
- 0.8mm 304 brushed stainless steel
- Overmount installation

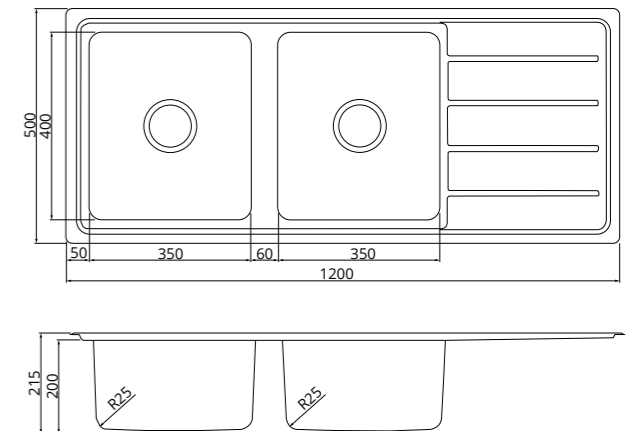


MASON600 - Double bowl with drainer

Dimensions: 500 x 1200mm Bowl Depth: 200mm & 200mm Capacity: 25L & 25L Options: SP CB WDB



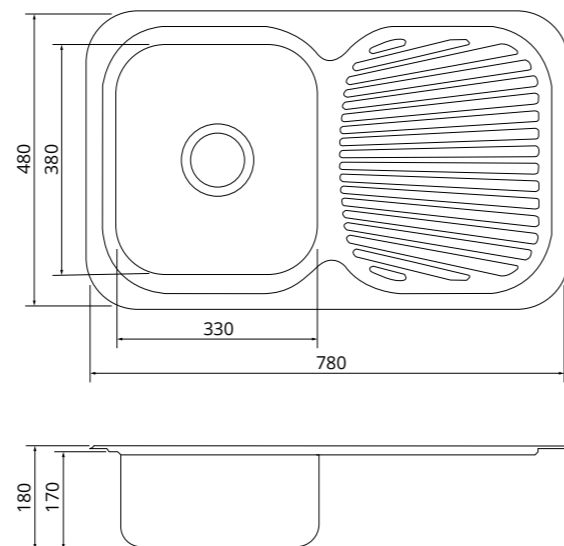
- 25mm radius corners for a contemporary square look
- Straight pattern embossed drainer with laser cut edges for a flush finish
- Available with or without taphole
- Choice of left or right hand bowl configuration
- 0.8mm 304 brushed stainless steel
- Overmount installation



Optional Accessories: SP - Sink Protector DT - Stainless Steel Draining Tray WDB - Wire Dish Basket CB - Cutting Board

MADDISON200 - Single bowl with drainer

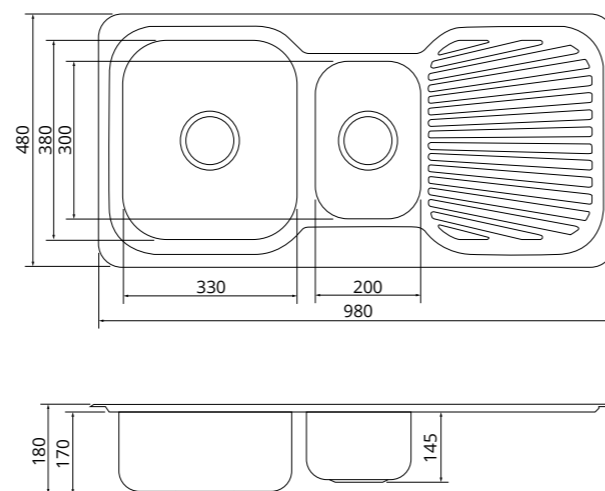
Dimensions: 480 x 780mm Bowl Depth: 170mm Capacity: 19L Options: PC WDB CB



- Timeless and functional design
- Laser cut edges creating a flush finish with the benchtop
- Available with or without taphole
- Choice of left or right hand bowl configuration
- 0.8mm 304 polished finish stainless steel
- Overmount installation

MADDISON250 - 1 & 1/2 bowl with drainer

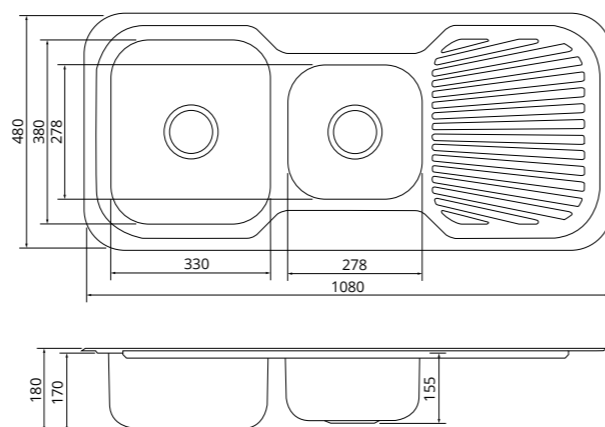
Dimensions: 480 x 980mm Bowl Depth: 170mm & 145mm Capacity: 19L & 7.2L Options: SSC PC WDB CB



- Timeless and functional design
- Laser cut edges creating a flush finish with the benchtop
- Available with or without taphole
- Choice of left or right hand bowl configuration
- 0.8mm 304 polished finish stainless steel
- Overmount installation

MADDISON300 - 1 & 3/4 bowl with drainer

Dimensions: 480 x 1080mm Bowl Depth: 170mm & 155mm Capacity: 19L & 10L Options: SSC PC WDB CB

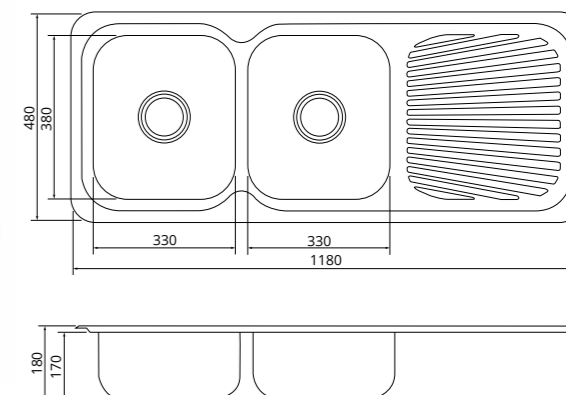


- Timeless and functional design in a polished finish
- Laser cut edges creating a flush finish with the benchtop
- Available with or without taphole
- Choice of left or right hand bowl configuration
- 0.8mm 304 polished finish stainless steel
- Overmount installation

Optional Accessories: SSC - Stainless Steel Colander PC - Plastic Colander WDB - Wire Dish Basket CB - Cutting Board

MADDISON600 - Double bowl with drainer

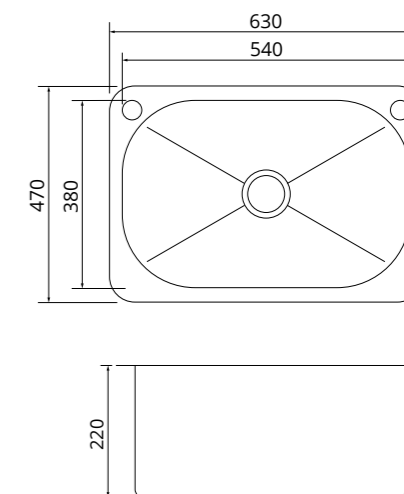
Dimensions: 480 x 1180mm Bowl Depth: 170mm & 170mm Capacity: 19L & 19L Options: PC WDB CB



- Timeless and functional design in a polished finish
- Laser cut edges creating a flush finish with the benchtop
- Available with or without taphole
- Choice of left or right hand bowl configuration
- 0.8mm 304 polished finish stainless steel
- Overmount installation

SUP45 - Flushline inset laundry tub

Dimensions: 470 x 630mm Bowl Depth: 220mm Capacity: 45L

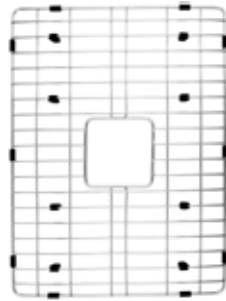


- Space saving design
- Left and right pre-punched by-pass holes
- By-pass kit and 90mm plug and waste included
- 0.8mm 304 polished finish stainless steel



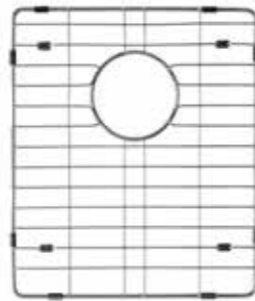
ACCESSORIES

Complete your sink with compatible and functional accessories, to make food preparation and washing up easier.



**QUB100GRD/QUB400GRD/
QUB500GRD**
Sink Protector

Complements Qubix range



**ASH100GRD/
ASH500GRD**
Sink Protector

Complements Ashton range



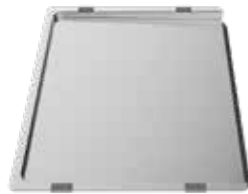
WB300
Wire Dish Basket

Dimensions: 365 x 310mm
Complements Maddison & Mason range



CSQUADCL
Stainless steel draining tray

Dimensions: 435 x 250 x 30mm
Complements Qubix & Ashton range



DT100
Stainless steel draining tray

Dimensions: 424 x 340mm
Complements Qubix & Ashton range



CL900
Stainless steel draining tray

Dimensions: 370 x 220 x 60mm
Complements Mason range



CL300
Stainless steel colander

Dimensions: 330 x 230 x 120mm
Complements Maddison250



CL600
Stainless steel colander

Dimensions: 300 x 300 x 116mm
Complements Maddison300



CSQUADCB
Wooden cutting board

Dimensions: 425 x 277mm
Complements Qubix range



CB800
Wooden cutting board

Dimensions: 420 x 365mm
Complements Ashton range



CB900
Wooden cutting board

Dimensions: 420 x 370mm
Complements Mason range

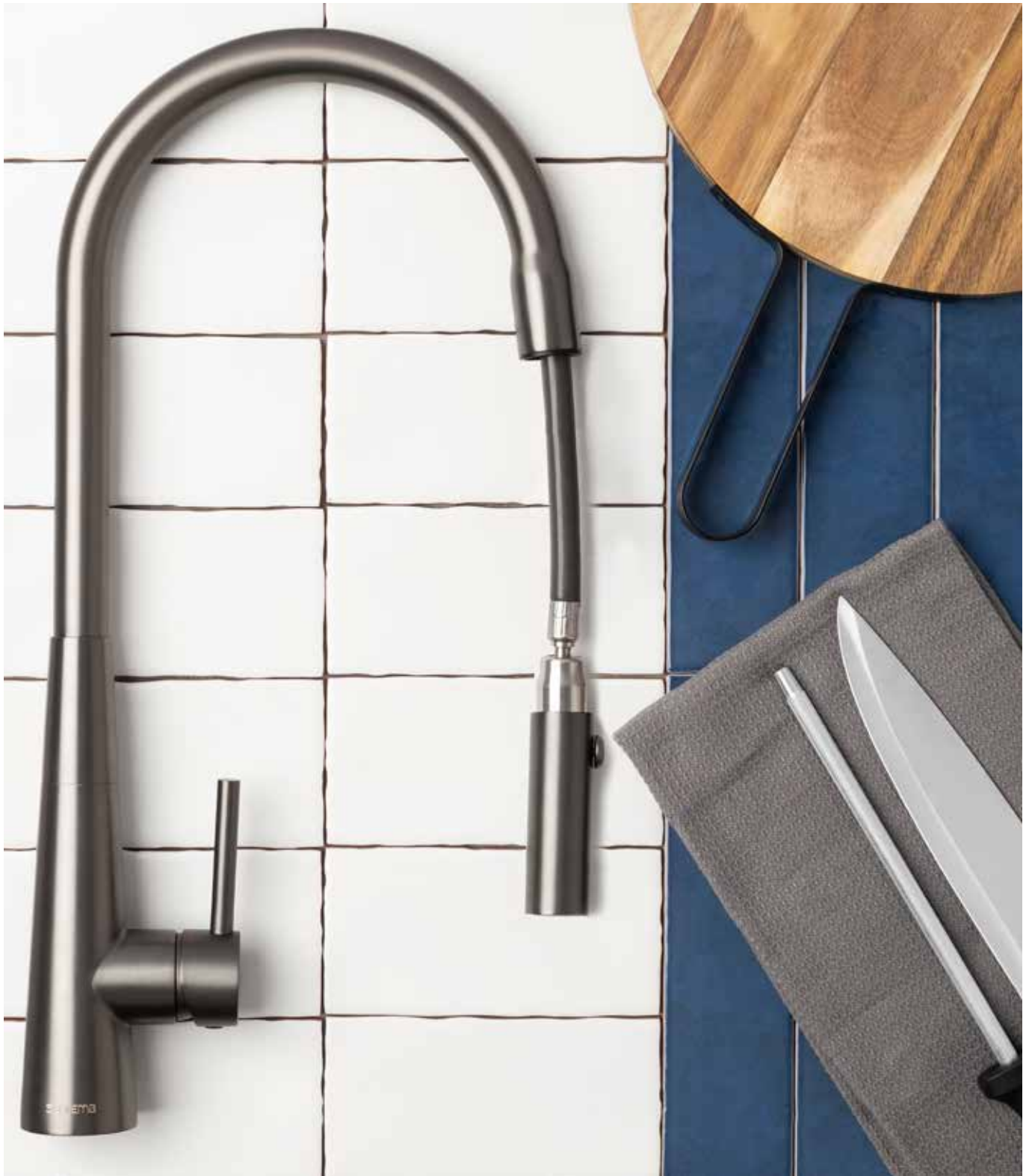


CB600
Wooden cutting board

Dimensions: 400 x 350mm
Complements Maddison range



While we aim for details and specifications to be correct at the time of printing, we are not responsible for any errors or omission. Shinda Australia reserves the rights to modify specifications and delete product ranges without prior notification. Printed images are for reference only and the colour and finish may vary from the actual product.



www.xpressfitmixers.com.au

www.suprema.com.au

