

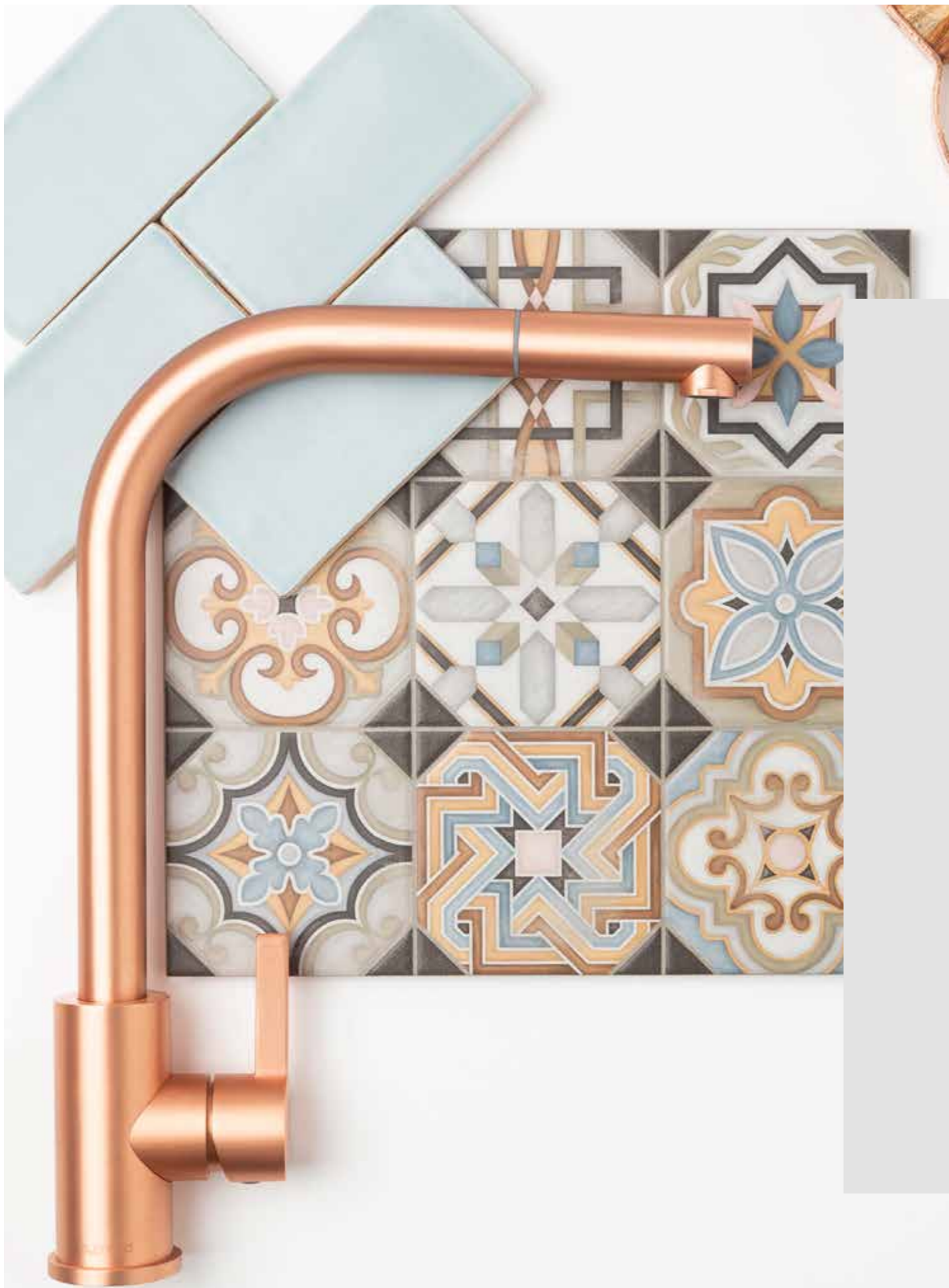
# Suprema™

WITH  XPRESSFIT™

T A P W A R E I N N O V A T I O N



**kitchen | alfresco | laundry**



# Suprema™

## TIMELESS TESTED TRUSTED

Established in 1995, Suprema is an Australian brand built on the principles of innovation, reliability and superior customer service. Suprema's range focuses on the beauty and durability of stainless steel.

The Suprema XpressFit range of tapware is a multi award-winning range, providing consumers with clean, non-toxic, innovative stainless steel tapware for the kitchen and laundry. Tapware installation has become faster and easier with the patented, award-winning top mount installation mechanism by XpressFit.

A range of modern and classic style stainless steel sinks have been curated to complement and provide functionality to the kitchen.

**Suprema - Timeless. Tested. Trusted.**

WORLD  
FIRST

- 02/** Twin Handle Pull Out Taps
- 05/** Alfresco Mixer
- 06/** Cool Start
- 08/** Retractable Mixers
- 12/** Standard Mixers
- 16/** Laundry Solutions
- 18/** 6 Xpress Steps
- 20/** Kitchen Sinks
- 28/** Accessories

## TWIN HANDLE PULL OUT TAP FEATURES

A world first design, Suprema's patented, retractable, twin handle pull out tap eliminates the need for an undersink counterweight used in traditional pull out mixers.

Separate hot and cold water controls means that hot water is not unintentionally turned on, saving energy.

### 1 PULL OUT NOZZLE

Dual handle tap with pull out functionality, an exclusive design by Suprema Xpressfit. The pull out hose is made of durable and food safe TPV.

### 2 316 MARINE GRADE STAINLESS STEEL

The tap body is made of 316 marine grade stainless steel.

Stainless steel is not only more durable but is made from a safer composition than brass which is traditionally used in taps and mixers.

316 grade stainless steel can withstand harsh environments, making the tap ideal for alfresco kitchens and coastal homes.

### 3 SWIVEL DUAL SPRAY

Swivel ball joint nozzle with dual spray pattern.

### 4 SPACE SAVING, AWARD WINNING INNOVATIVE DESIGN

Suprema retractable taps are designed without a long hose and counterweight under the sink, as is the case with traditional pull out mixers, giving more useable space under the sink.

### 5 SEPARATE HOT AND COLD HANDLES

Energy saving feature with separate hot water controls, unlike a mixer where hot and cold water may be unintentionally mixed.

The 316 marine grade stainless steel body is not only lead-free but can withstand harsh environments, ideal for alfresco kitchens and coastal homes.

### 6 XPRESSFIT PATENTED AWARD WINNING INSTALLATION MECHANISM

Tap installation has never been easier or faster. XpressFit eliminates the challenge of trying to get under and behind the sink to secure the mixer. All you need is a hand drill.

### 7 600MM NYLON BRAIDED PEX INLET HOSES

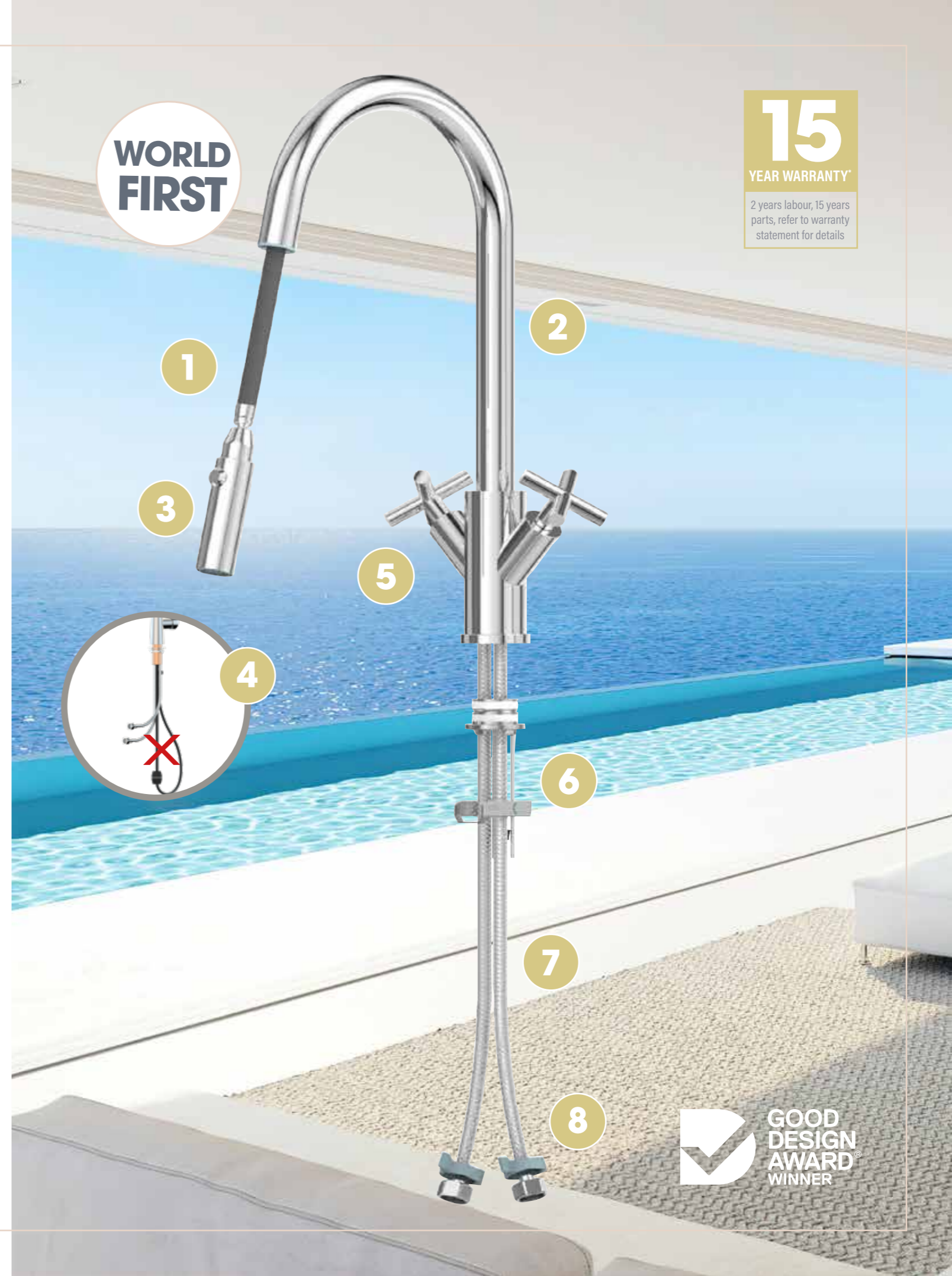
All Suprema XPRESSFIT mixers come with 600mm PEX inlet hoses already secured to the mixer body.

The extra long PEX hoses reduce the need for connectors, saving time and money. The nylon braiding provides protection and durability to the hose.

PEX contains cross linked bonds in the polymer structure, providing outstanding heat and chemical resistance as well as tensile strength, so drinking water is not compromised.

### 8 QUICK INSTALL NUTS

This tool-less solution is another innovative solution unique to XPRESSFIT, allowing you to easily hand tighten the PEX inlet hoses to the isolating stop valve.



# ALFRESCO RANGE

Featuring 316 marine grade stainless steel, the stylish and functional XCALIBRE mixer is ideal for alfresco kitchens or coastal homes.

Made from lead-free materials, it has the ability to withstand harsh climates.



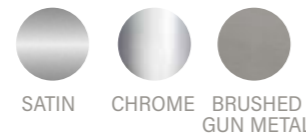
**X-GEN**  
XFIT1010RKM

Gooseneck Retractable Tap with Cross Handles  
316 Marine Grade Stainless Steel  
Dual Spray  
Height: 438mm  
Projection: 242mm  
Pull Out Length: 370mm  
WELS 5 star rating, 6 litres per minute



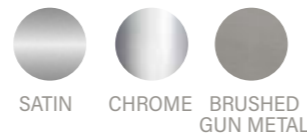
**XSSENCE**  
XFIT1020RKM

Gooseneck Retractable Tap with Lever Handles  
316 Marine Grade Stainless Steel  
Dual Spray  
Height: 463mm  
Projection: 242mm  
Pull Out Length: 370mm  
WELS 5 star rating, 6 litres per minute



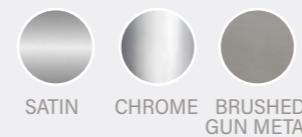
**XQUISITE**  
XFIT1030RKM

Provincial Style Gooseneck Retractable Tap  
316 Marine Grade Stainless Steel  
Dual Spray  
Height: 455mm  
Projection: 233mm  
Pull Out Length: 370mm  
WELS 5 star rating, 6 litres per minute

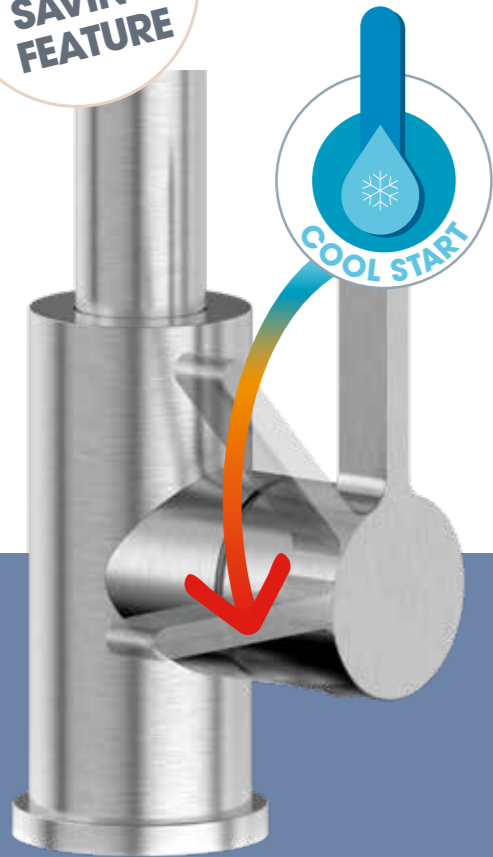


**XCALIBRE**  
XFIT2010RKM

Alfresco Gooseneck Retractable Maxi Pull out Mixer with Dual Spray  
316 Marine Grade Stainless Steel  
Height: 474mm  
Projection: 242mm  
Pull Out Length: 370mm  
WELS 5 star rating, 6 litres per min




**NEW  
ENERGY  
SAVING  
FEATURE**



- ENERGY SAVING
- WIDE TEMPERATURE RANGE
- SUITABLE FOR TIGHT SPACES

## COOL START

Suprema's new, energy saving cool start feature is available on a selected range of Suprema Xpressfit mixers. (marked with )

From an aesthetic view point, mixers look their best when the handle is aligned with the tap body, pointing upwards.

When a mixer with the cool start feature has the handle pointing upwards, the tap is set to the cold water position.

Hot water will begin to mix with the cold water as the handle is moved forward, towards the user.

This energy saving, cool start feature minimises unnecessary use of hot water and minimises the times an instantaneous hot water system is unintentionally activated.

The cool start cartridge offers a full 90 degree range to mix cold and hot water as the handle moves forward. This gives the user control of the widest temperature range possible with mixer tapware.

The cool start handle is also ideal for situations where there is limited space between the mixer and the splashback as a +/- 45 degree turning mixer handle would hit the wall.



## RETRACTABLE MIXER FEATURES

### 1 STAINLESS STEEL CONSTRUCTION

Suprema XPRESSFIT mixers bodies are made from 304 or 316 grade stainless steel.

Stainless steel is not only more durable but is also made from a safer composition than brass which is traditionally used in taps and mixers.

The internal, sealed, stainless steel body also prevents water from leaking down into your cabinetry.

Suprema XPRESSFIT mixers come in a range of finishes to complement your kitchen.

### 2 SPACE SAVING, AWARD WINNING, INNOVATIVE DESIGN

Unlike traditional pull out mixers, Suprema Retractable Mixers are designed without a long hose and counterweight under the sink, creating more useable space.

### 3 QUICK INSTALL NUTS

This tool-less solution is another innovative solution unique to XPRESSFIT, allowing you to easily hand tighten the PEX inlet hoses to the isolating stop valve.

### 4 PULL OUT NOZZLE

When you want further reach, the pull out nozzle will stay in an extended position and automatically retract into place when the water is turned off.\*

Made from durable and food safe TPV.

### 5 DUAL SPRAY WITH SWIVEL SPOUT

Swivel ball joint nozzle with dual spray pattern available on certain models.

### 6 COOL START

Energy saving and ergonomic design. When the handle is pointing upwards, the tap is set at cold. Mixing with hot water begins as handle is moved forward.



Ideal for installations close to wall. Available on models with the cool start icon.

### 7 XPRESSFIT PATENTED INSTALLATION MECHANISM

Tap installation has never been easier or faster.

XPRESSFIT eliminates the challenge of trying to get under and behind the sink to secure the mixer. All you need is a hand drill.

### 8 600MM NYLON BRAIDED PEX INLET HOSE

All Suprema XPRESSFIT mixers come with 600mm PEX inlet hoses already secured to the mixer body.

The extra long PEX hoses reduce the need for connectors, saving time and money. The nylon braiding provides protection and durability to the hose.

PEX contains cross linked bonds in the polymer structure, providing outstanding heat and chemical resistance as well as tensile strength, so drinking water is not compromised.



**15**  
YEAR WARRANTY\*

2 years labour, 15 years parts, refer to warranty statement for details





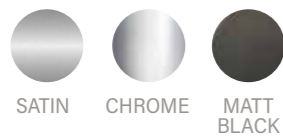
**XPLORER**  
XFIT900RKM

Gooseneck Retractable  
Mini Pull Out Mixer

304 Stainless Steel

Height: 400mm  
Projection: 206mm  
Pull Out Length: 220mm

WELS 3 star rating,  
9 litres per min



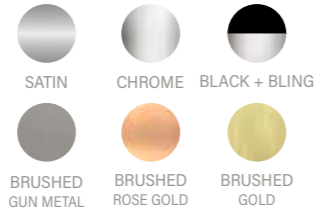
**XCLAIMER**  
XFIT910RKM

Straight Neck Retractable  
Mini Pull Out Mixer

304 Stainless Steel

Height: 400mm  
Projection: 245mm  
Pull Out Length: 250mm

WELS 3 star rating,  
9 litres per min



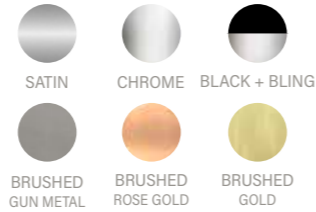
**XTRAVERT**  
XFIT920RKM

Tall Gooseneck Retractable  
Mini Pull Out Mixer with Dual Spray

304 Stainless Steel

Height: 495mm  
Projection: 235mm  
Pull Out Length: 260mm

WELS 3 star rating,  
9 litres per min



**XACTA**  
XFIT800RKM

Gooseneck Retractable  
Maxi Pull Out Mixer with Dual Spray

304 Stainless Steel

Height: 483mm  
Projection: 236mm  
Pull Out Length: 390mm

WELS 5 star rating,  
6 litres per min



**XCEL**  
XFIT810RKM

Gooseneck Retractable  
Maxi Pull Out Mixer with Dual Spray

304 Stainless Steel

Height: 482mm  
Projection: 221mm  
Pull Out Length: 390mm

WELS 5 star rating,  
6 litres per min



## STANDARD MIXER FEATURES

### 1 NEOPERL AERATORS

Aerators renown for quality and consistent performance.

### 2 STAINLESS STEEL CONSTRUCTION

Suprema XPRESSFIT mixer bodies are made of 304 or 316 grade stainless steel.

Stainless steel is not only more durable but is also made from a safer composition than brass, which is traditionally used in taps and mixers.

Stainless steel is known for its hygiene qualities as its smooth surface resists the harbouring of germs and can be re-polished.

Suprema XPRESSFIT mixers come in a range of finishes to complement your kitchen.

### 3 COOL START

Energy saving and ergonomic design. When the handle is pointing upwards, the tap is set at cold. Mixing with hot water begins as handle is moved forward.

Ideal for installations close to wall. Available on models with the cool start icon.



### 4 XPRESSFIT PATENTED INSTALLATION MECHANISM

Tap installation has never been easier or faster.

Fixing the mixer to the sink or benchtop takes less than 60 seconds and it's all done from above the benchtop.

XPRESSFIT eliminates the challenge of trying to get under and behind the sink to secure the mixer. All you need is a hand drill.

### 5 600MM NYLON BRAIDED PEX INLET HOSES

All Suprema XPRESSFIT mixers come with 600mm PEX inlet hoses already secured to the mixer body.

The extra long PEX hoses reduce the need for connectors, saving time and money. The nylon braiding provides protection and durability to the hose.

PEX contains cross linked bonds in the polymer structure, providing outstanding heat and chemical resistance as well as tensile strength, so drinking water is not compromised.

### 6 QUICK INSTALL NUTS

This tool-less solution is another innovative solution unique to XPRESSFIT, allowing you to easily hand tighten the PEX inlet hoses to the water supply.

**15**  
YEAR WARRANTY\*

2 years labour, 15 years parts, refer to warranty statement for details







**XSSENTIAL**  
XFIT050SKM

Classic Flick Mixer  
304 Stainless Steel  
Height: 140mm  
Projection: 230mm  
WELS 4 star rating,  
7.5 litres per min



CHROME



**XPO**  
XFIT100SKM

Classic Gooseneck Mixer  
304 Stainless Steel  
Height: 354mm  
Projection: 199mm  
WELS 4 star rating,  
7.5 litres per min



SATIN CHROME MATT BLACK



**X-CLASS**  
XFIT200SKM

Gooseneck with Modern  
Geometric Body and Handle  
304 Stainless Steel  
Height: 380mm  
Projection: 232mm  
WELS 4 star rating,  
7.5 litres per min



SATIN MATT BLACK BRUSHED GUN METAL BRUSHED ROSE GOLD BRUSHED GOLD



**XON**  
XFIT300SKM

Classic Square  
Gooseneck Mixer  
304 Stainless Steel  
Height: 334mm  
Projection: 205mm  
WELS 4 star rating,  
7.5 litres per min



SATIN CHROME MATT BLACK



**XCELSIOR**  
XFIT600SKM

Elegant Straight Neck Mixer  
304 Stainless Steel  
Height: 289mm  
Projection: 220mm  
WELS 4 star rating,  
7.5 litres per min



SATIN MATT BLACK BRUSHED GUN METAL BRUSHED ROSE GOLD BRUSHED GOLD



**XEC**  
XFIT700SKM

Modern Linear Surface Mixer  
304 Stainless Steel  
Height: 357mm  
Projection: 193mm  
WELS 4 star rating,  
7.5 litres per min



SATIN BLACK + BLING BRUSHED GUN METAL BRUSHED ROSE GOLD BRUSHED GOLD



## LAUNDRY SOLUTIONS

### RETRACTABLE WALL SPOUT

Introducing the world's first retractable wall spout. This innovative design is made from 304 stainless steel with an elegant gooseneck style spout.

Featuring a dual spray pattern, rotating ball joint nozzle, this revolutionary design is ideal for bathrooms or laundries.

Easy to install, it can be used to replace the majority of existing wall spouts.

Available in a satin or chrome finish, the spout is easy to match with new or existing wall-mounted tap handles.



**NEW  
WORLD  
FIRST**



### LAUNDRY ADAPTER

Standard inset laundry tubs come with two 41mm bypass holes, only one is used for the washing machine bypass.

The laundry adapter converts the 41mm diameter hole to a 35mm hole suitable for a Suprema Xpressfit mixer.

Converting the bypass hole into a taphole saves plumbing in a wall mount tap and spout.

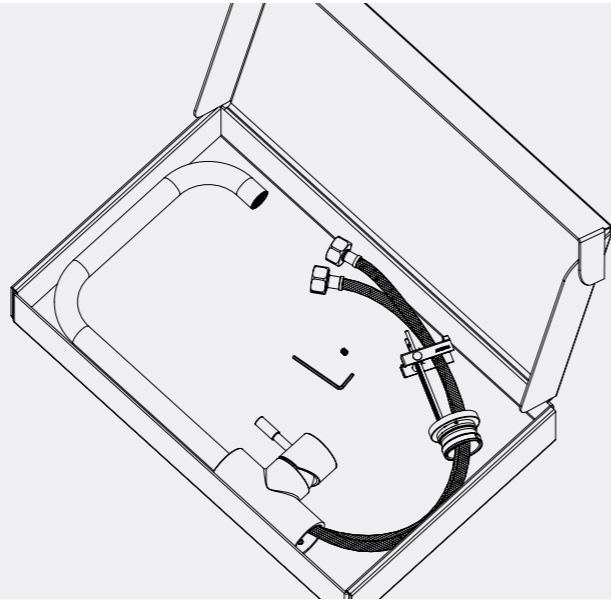
The adapter is available in satin and chrome finish to match your Suprema XpressFit mixer.



## 6 XPRESS STEPS

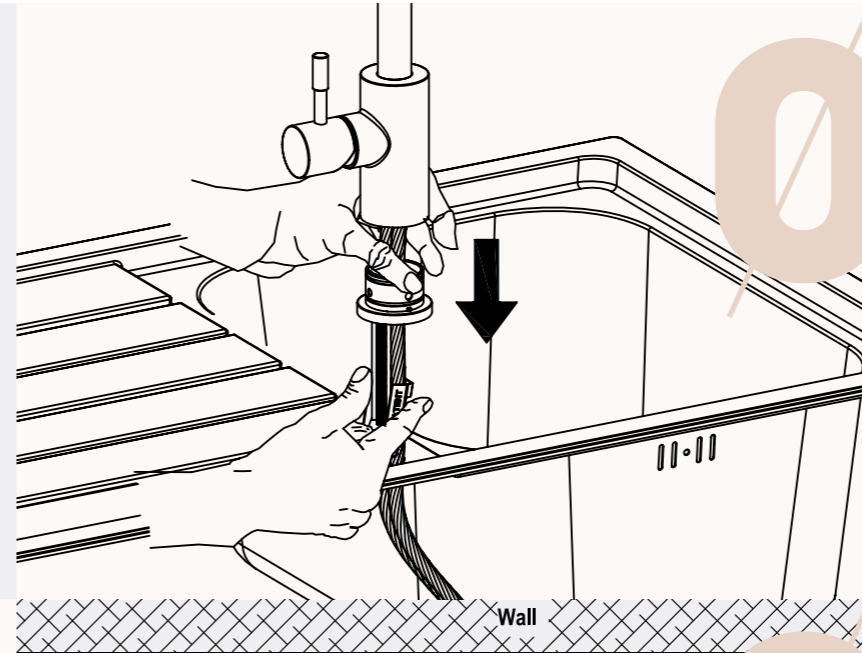
01

Remove fully assembled mixer from packaging



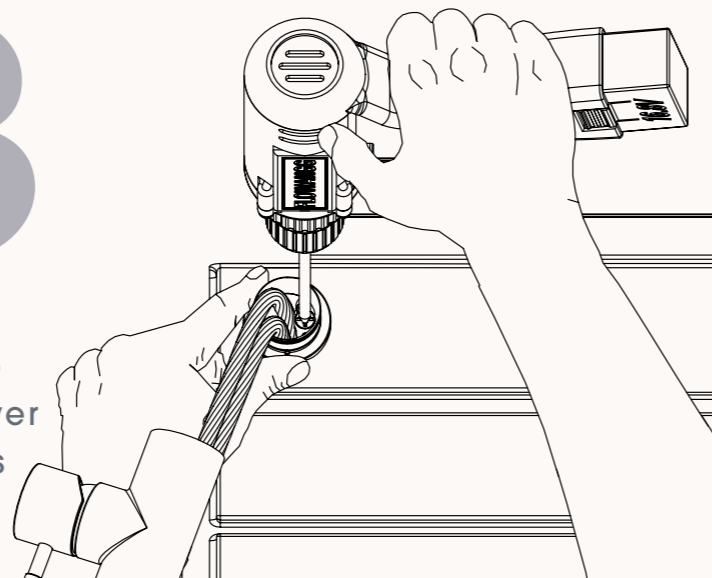
02

Slide the PEX inlet hoses and clamp plate through the tap hole



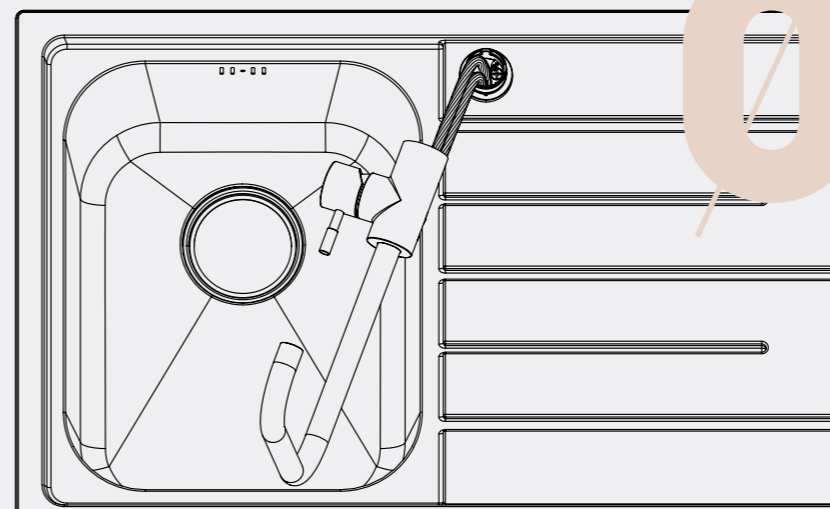
03

Tighten the clamp plate using a power drill with a Phillips head bit



04

Align the flange with the locating pin



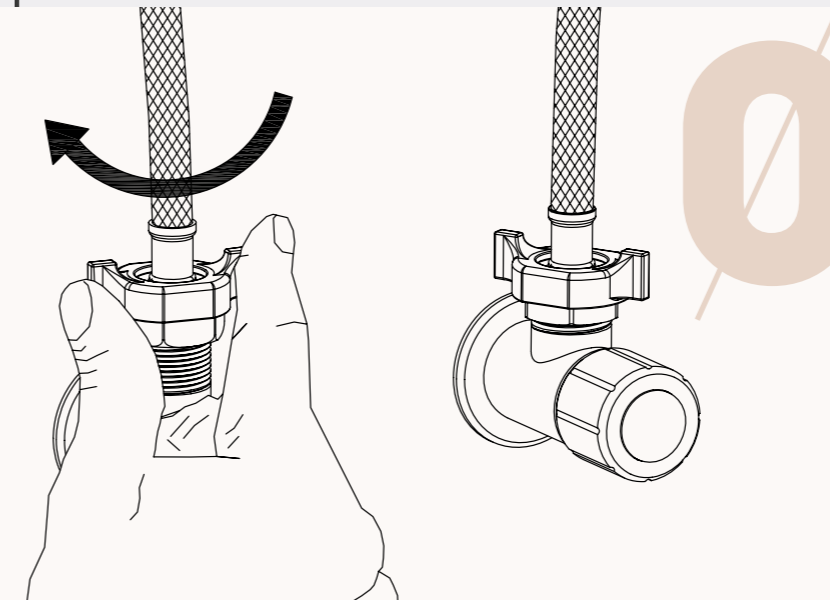
05

Secure mixer body to the flange with a hex key



06

Using the locking nuts, connect the PEX inlet hoses to the water supply



suprema™

## KITCHEN SINKS & ACCESSORIES

Suprema sinks are crafted from corrosion resistant 304 stainless steel. All sinks are individually packaged, with pop up basket wastes, gasket seals and reversible clips.

Each sink is coated with an acoustic absorbing underlining and comes with a 25 year manufacturer's warranty.

Accessories are available to complement your sink, making food preparation and washing up easier.





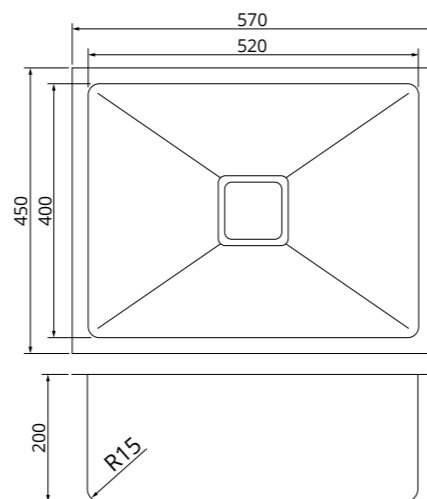
**QUBIX100 - Handcrafted single bowl**

Dimensions: 570 x 450mm Bowl Depth: 200mm Capacity: 40L

Options: SP DT CB



- 15mm radius corners for a modern look yet easy to clean
- Matching designer square waste
- 1.0mm 304 brushed finish stainless steel
- Undermount / overmount installation



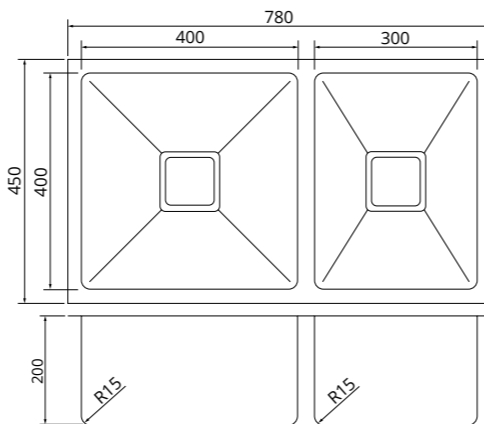
**QUBIX400 - Handcrafted 1 & 3/4 bowl**

Dimensions: 780 x 450mm Bowl Depth: 200mm Capacity: 31L & 23L

Options: SP DT CB



- 15mm radius corners for a modern look yet easy to clean
- Matching designer square waste
- 1.0mm 304 brushed finish stainless steel
- Undermount / overmount installation



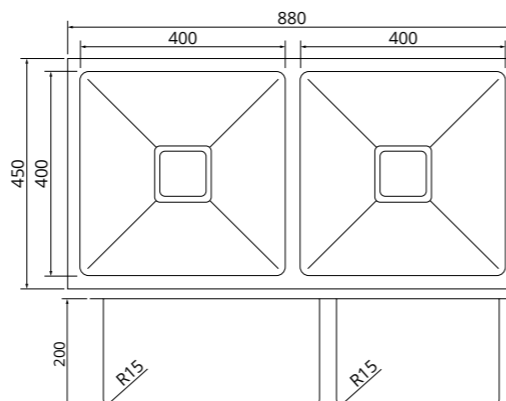
**QUBIX500 - Handcrafted double bowl**

Dimensions: 880 x 450mm Bowl Depth: 200mm Capacity: 31L

Options: SP DT CB



- 15mm radius corners for a modern look yet easy to clean
- Matching designer square waste
- 1.0mm 304 brushed finish stainless steel
- Undermount / overmount installation



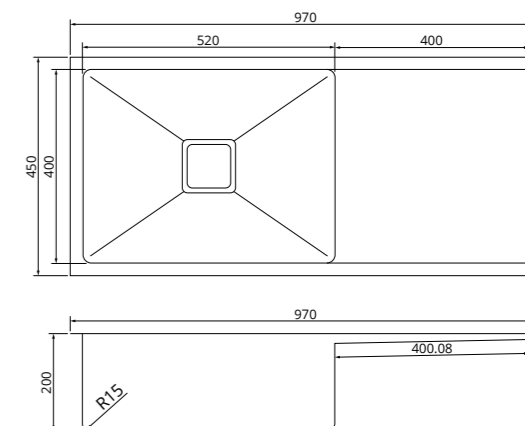
Optional Accessories: SP - Sink Protector DT - Stainless Steel Draining Tray WDB - Wire Dish Basket CB - Cutting Board

**QUBIX100D - Handcrafted single bowl with drainer**

Dimensions: 970 x 450mm Bowl Depth: 200mm Capacity: 40L Options: SP DT CB



- 15mm radius corners for a modern look yet easy to clean
- Matching designer square waste
- 1.2mm 304 brushed finish stainless steel
- Undermount / overmount installation

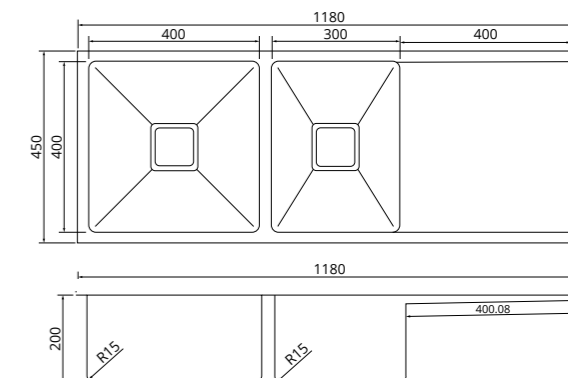


**QUBIX400D - Handcrafted 1 & 3/4 bowl with drainer**

Dimensions: 1180 x 450mm Bowl Depth: 200mm Capacity: 31L & 23L Options: SP DT CB



- 15mm radius corners for a modern look yet easy to clean
- Matching designer square waste
- 1.2mm 304 brushed finish stainless steel
- Undermount / overmount installation

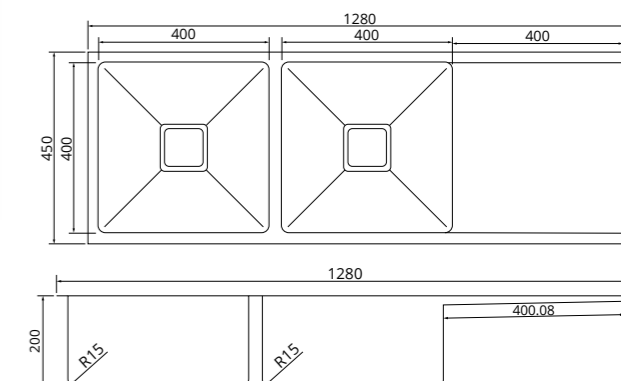


**QUBIX500D - Handcrafted double bowl with drainer**

Dimensions: 1280 X 450mm Bowl Depth: 200mm Capacity: 31L Options: SP DT CB



- 15mm radius corners for a modern look yet easy to clean
- Matching designer square waste
- 1.2mm 304 brushed finish stainless steel
- Undermount / overmount installation



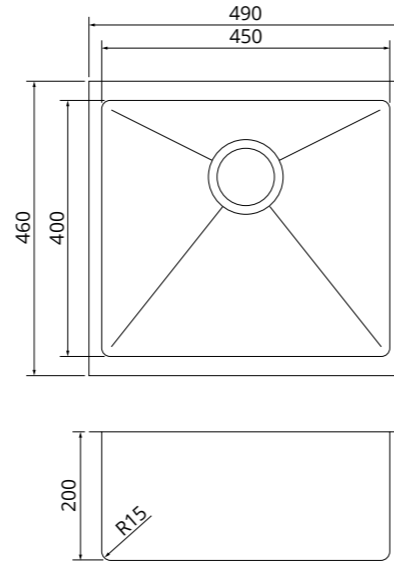
**ASHTON100 - Handcrafted single bowl**

Dimensions: 490 x 460mm Bowl Depth: 200mm Capacity: 35L

Options: SP DT CB



- 15mm radius corners for a modern look yet easy to clean
- Rear positioned round waste
- 1.0mm 304 brushed finish stainless steel
- Undermount / overmount installation

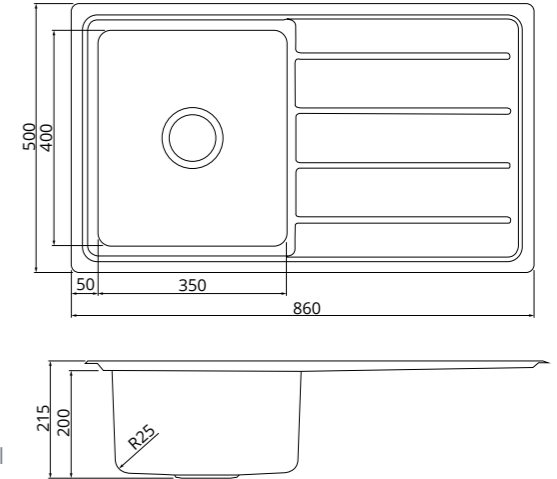


**MASON100 - Single bowl with drainer**

Dimensions: 500 x 860mm Bowl Depth: 200mm Capacity: 25L Options: SP CB WDB



- 25mm radius corners for a contemporary square look
- Straight pattern embossed drainer with laser cut edges for a flush finish
- Available with or without taphole
- Choice of left or right hand bowl configuration
- 0.8mm 304 brushed stainless steel
- Overmount installation



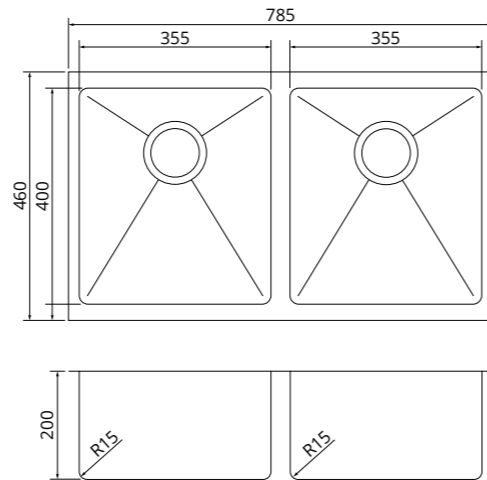
**ASHTON500 - Handcrafted double bowl**

Dimensions: 785 x 460mm Bowl Depth: 200mm Capacity: 27L

Options: SP DT CB



- 15mm radius corners for a modern look yet easy to clean
- Rear positioned round waste
- 1.0mm 304 brushed finish stainless steel
- Undermount / overmount installation

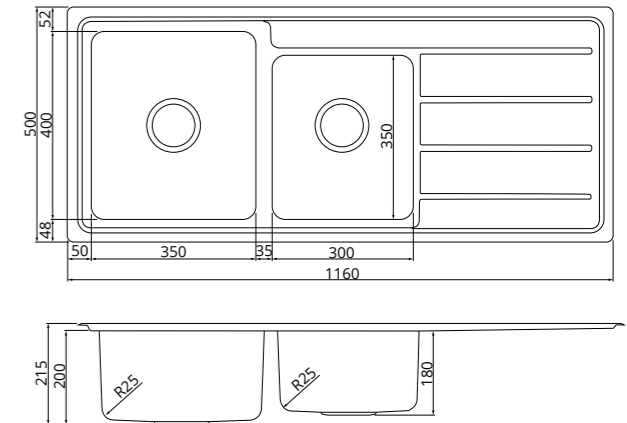


**MASON300 - 1 & 3/4 bowl with drainer**

Dimensions: 500 x 1160mm Bowl Depth: 200mm & 180mm Capacity: 25L & 17L Options: SP CB WDB



- 25mm radius corners for a contemporary square look
- Straight pattern embossed drainer with laser cut edges for a flush finish
- Available with or without taphole
- Choice of left or right hand bowl configuration
- 0.8mm 304 brushed stainless steel
- Overmount installation

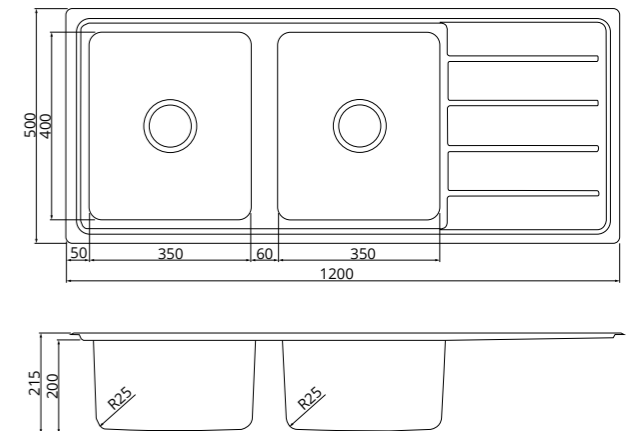


**MASON600 - Double bowl with drainer**

Dimensions: 500 x 1200mm Bowl Depth: 200mm & 200mm Capacity: 25L & 25L Options: SP CB WDB



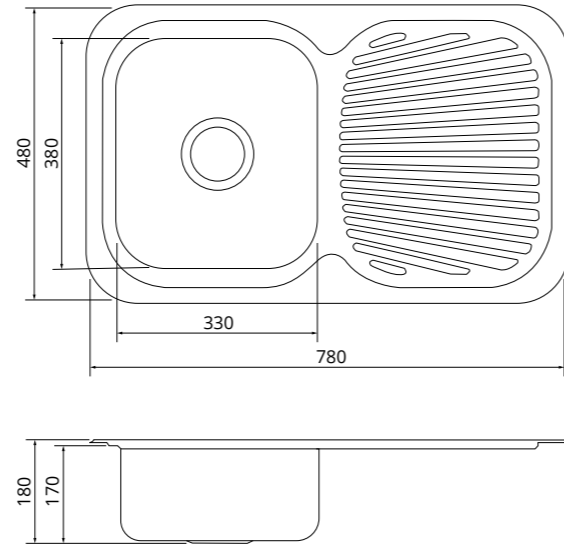
- 25mm radius corners for a contemporary square look
- Straight pattern embossed drainer with laser cut edges for a flush finish
- Available with or without taphole
- Choice of left or right hand bowl configuration
- 0.8mm 304 brushed stainless steel
- Overmount installation



Optional Accessories: SP - Sink Protector DT - Stainless Steel Draining Tray WDB - Wire Dish Basket CB - Cutting Board

**MADDISON200 - Single bowl with drainer**

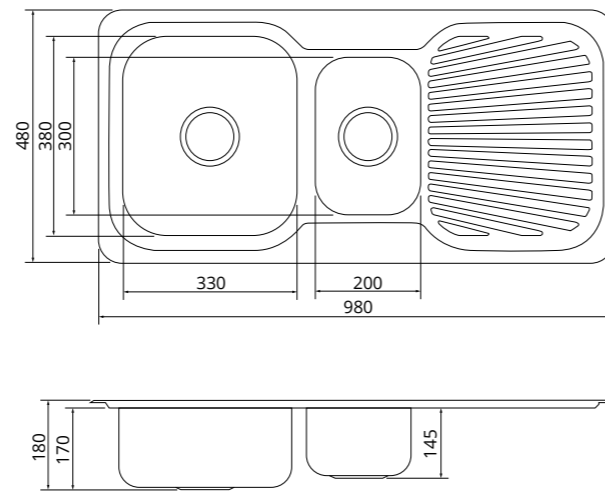
Dimensions: 480 x 780mm Bowl Depth: 170mm Capacity: 19L Options: PC WDB CB



- Timeless and functional design
- Laser cut edges creating a flush finish with the benchtop
- Available with or without taphole
- Choice of left or right hand bowl configuration
- 0.8mm 304 polished finish stainless steel
- Overmount installation

**MADDISON250 - 1 & 1/2 bowl with drainer**

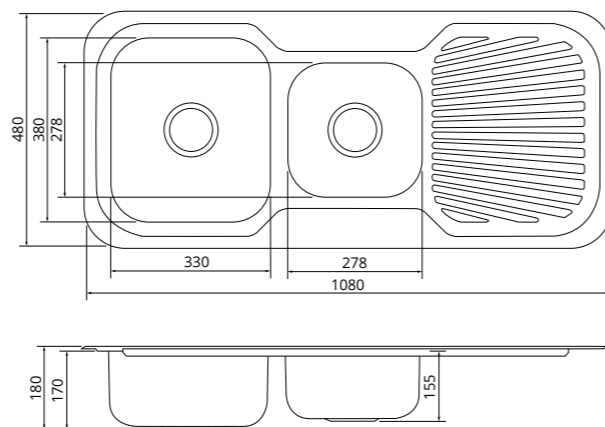
Dimensions: 480 x 980mm Bowl Depth: 170mm & 145mm Capacity: 19L & 7.2L Options: SSC PC WDB CB



- Timeless and functional design
- Laser cut edges creating a flush finish with the benchtop
- Available with or without taphole
- Choice of left or right hand bowl configuration
- 0.8mm 304 polished finish stainless steel
- Overmount installation

**MADDISON300 - 1 & 3/4 bowl with drainer**

Dimensions: 480 x 1080mm Bowl Depth: 170mm & 155mm Capacity: 19L & 10L Options: SSC PC WDB CB

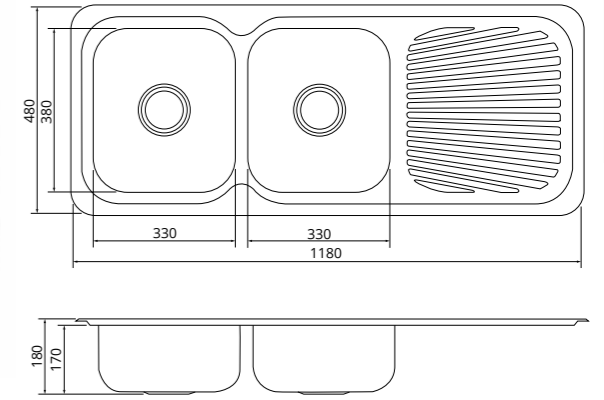


- Timeless and functional design in a polished finish
- Laser cut edges creating a flush finish with the benchtop
- Available with or without taphole
- Choice of left or right hand bowl configuration
- 0.8mm 304 polished finish stainless steel
- Overmount installation

**Optional Accessories:** SSC - Stainless Steel Colander PC - Plastic Colander WDB - Wire Dish Basket CB - Cutting Board

**MADDISON600 - Double bowl with drainer**

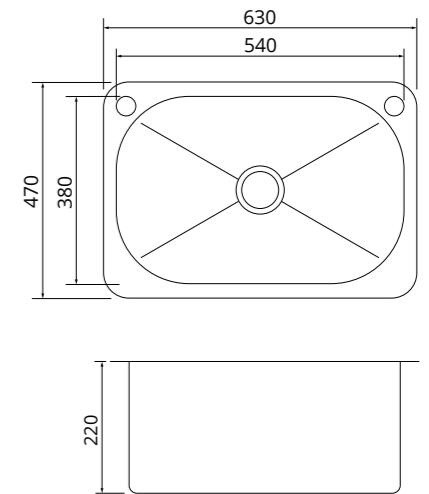
Dimensions: 480 x 1180mm Bowl Depth: 170mm & 170mm Capacity: 19L & 19L Options: PC WDB CB



- Timeless and functional design in a polished finish
- Laser cut edges creating a flush finish with the benchtop
- Available with or without taphole
- Choice of left or right hand bowl configuration
- 0.8mm 304 polished finish stainless steel
- Overmount installation

**SUP45 - Flushline inset laundry tub**

Dimensions: 470 x 630mm Bowl Depth: 220mm Capacity: 45L

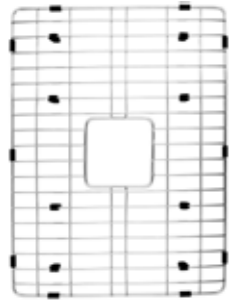


- Space saving design
- Left and right pre-punched by-pass holes
- By-pass kit and 90mm plug and waste included
- 0.8mm 304 polished finish stainless steel



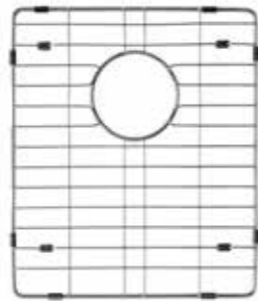
# ACCESSORIES

Complete your sink with compatible and functional accessories, to make food preparation and washing up easier.



**QUB100GRD/QUB400GRD/  
QUB500GRD**  
**Sink Protector**

Complements Qubix range



**ASH100GRD/  
ASH500GRD**  
**Sink Protector**

Complements Ashton range



**WB300**  
**Wire Dish Basket**

Dimensions: 365 x 310mm  
Complements Maddison & Mason range



**CSQUADCL**  
**Stainless steel draining tray**

Dimensions: 435 x 250 x 30mm  
Complements Qubix & Ashton range



**DT100**  
**Stainless steel draining tray**

Dimensions: 424 x 340mm  
Complements Qubix & Ashton range



**CL900**  
**Stainless steel draining tray**

Dimensions: 370 x 220 x 60mm  
Complements Mason range



**CL300**  
**Stainless steel colander**

Dimensions: 330 x 230 x 120mm  
Complements Maddison250



**CL600**  
**Stainless steel colander**

Dimensions: 300 x 300 x 116mm  
Complements Maddison300



**CSQUADCB**  
**Wooden cutting board**

Dimensions: 425 x 277mm  
Complements Qubix range



**CB800**  
**Wooden cutting board**

Dimensions: 420 x 365mm  
Complements Ashton range



**CB900**  
**Wooden cutting board**

Dimensions: 420 x 370mm  
Complements Mason range



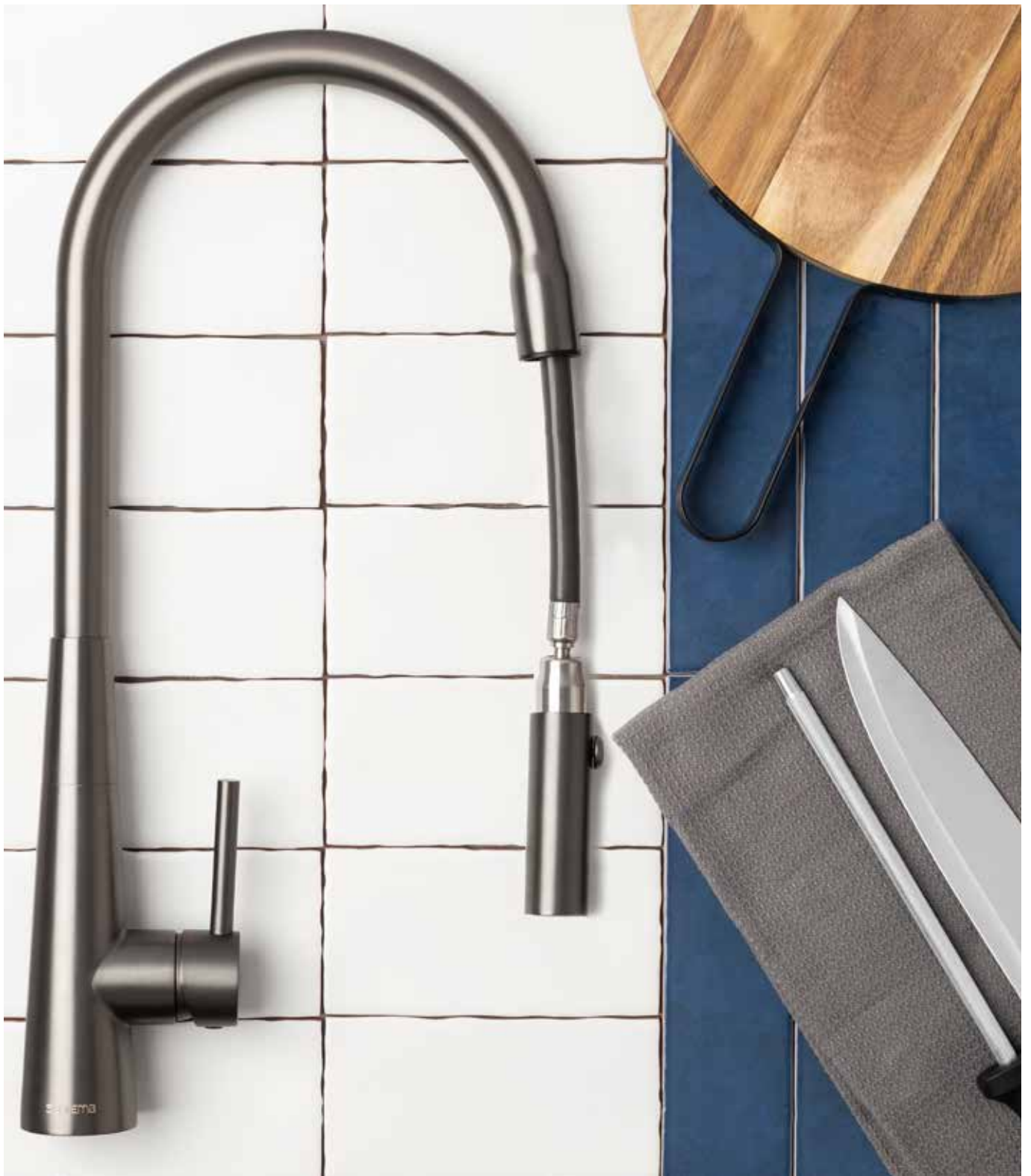
**CB600**  
**Wooden cutting board**

Dimensions: 400 x 350mm  
Complements Maddison range



While we aim for details and specifications to be correct at the time of printing, we are not responsible for any errors or omission. Shinda Australia reserves the rights to modify specifications and delete product ranges without prior notification. Printed images are for reference only and the colour and finish may vary from the actual product.





[www.xpressfitmixers.com.au](http://www.xpressfitmixers.com.au)

[www.suprema.com.au](http://www.suprema.com.au)

