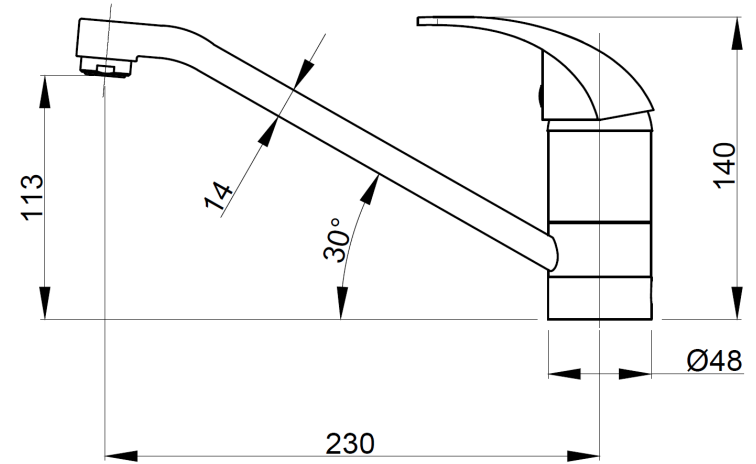



XSENTIAL –XFIT050SKM_CP



Note: Drawings are not to scale and are for reference only. Specifications and sizes can be changed by the manufacturer without notice. Refer to physical unit prior to installation

Product Specifications

Base Material	304 Stainless Steel	
Finish	Chrome plated	
Installation	XpressFit Top Mount	
Height	140mm	
Projection	230mm	
WELS Rating	4 star water efficiency, 7.5L per minute, Reg. T35591	
Cartridge size	40mm	
Warranty	2 years parts and labour, 15 years replacement on cartridge and PEX inlet hoses	